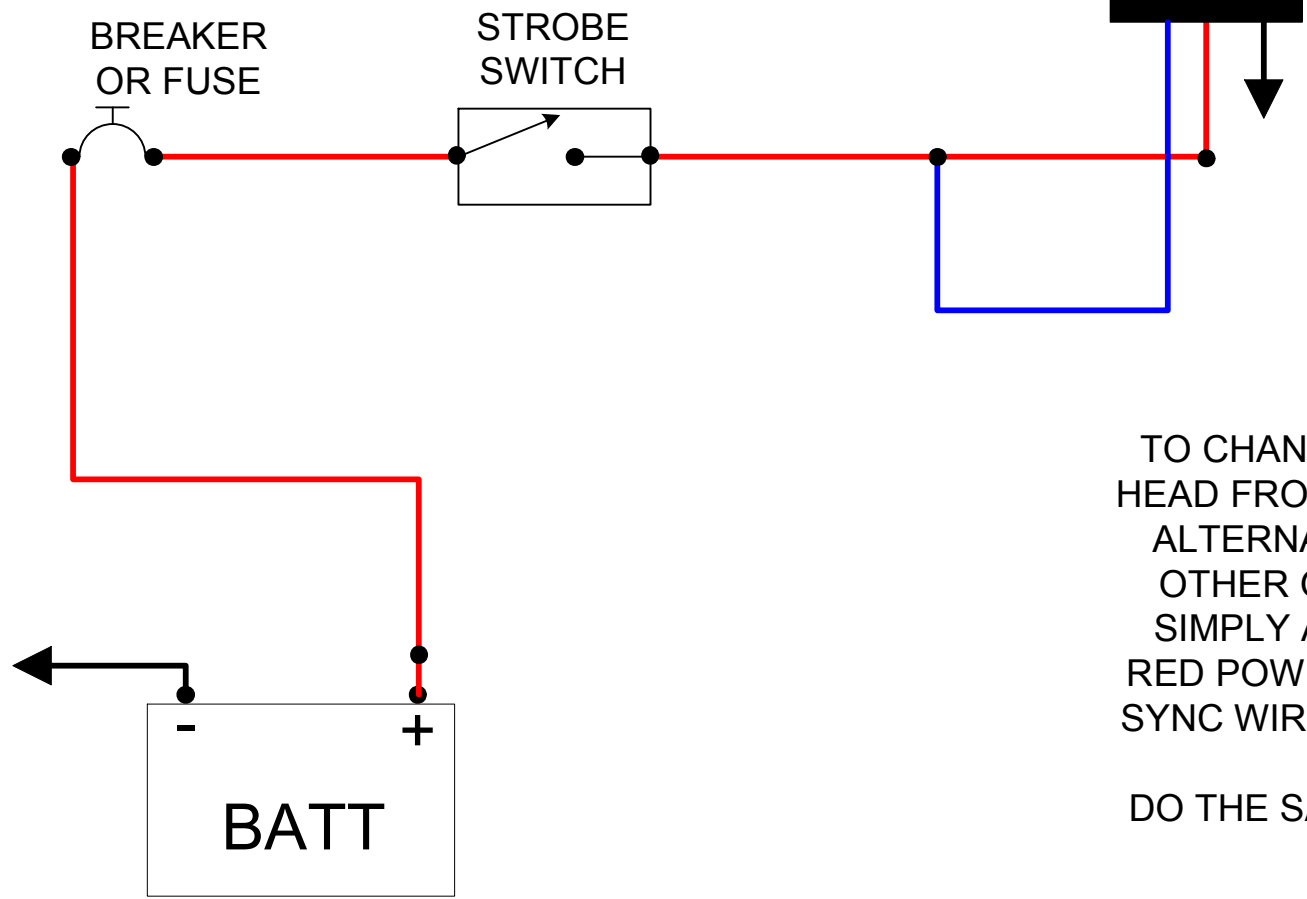


SAMPLE WIRING DIAGRAM FOR
GEN II STROBE SYSTEM

STROBES - RED = POWER
STROBES - BLUE = STROBE SYNC
ALL - BLACK = GROUND

WINGTIP
STROBE



TO CHANGE THE GEN II STROBE
HEAD FROM SIMULTANEOUSLY OR
ALTERNATELY FLASHING WITH
OTHER GEN II STROBE HEADS
SIMPLY APPLY POWER TO THE
RED POWER WIRE AND THE BLUE
SYNC WIRES AT THE SAME TIME...

DO THE SAME AGAIN TO CHANGE
IT BACK...