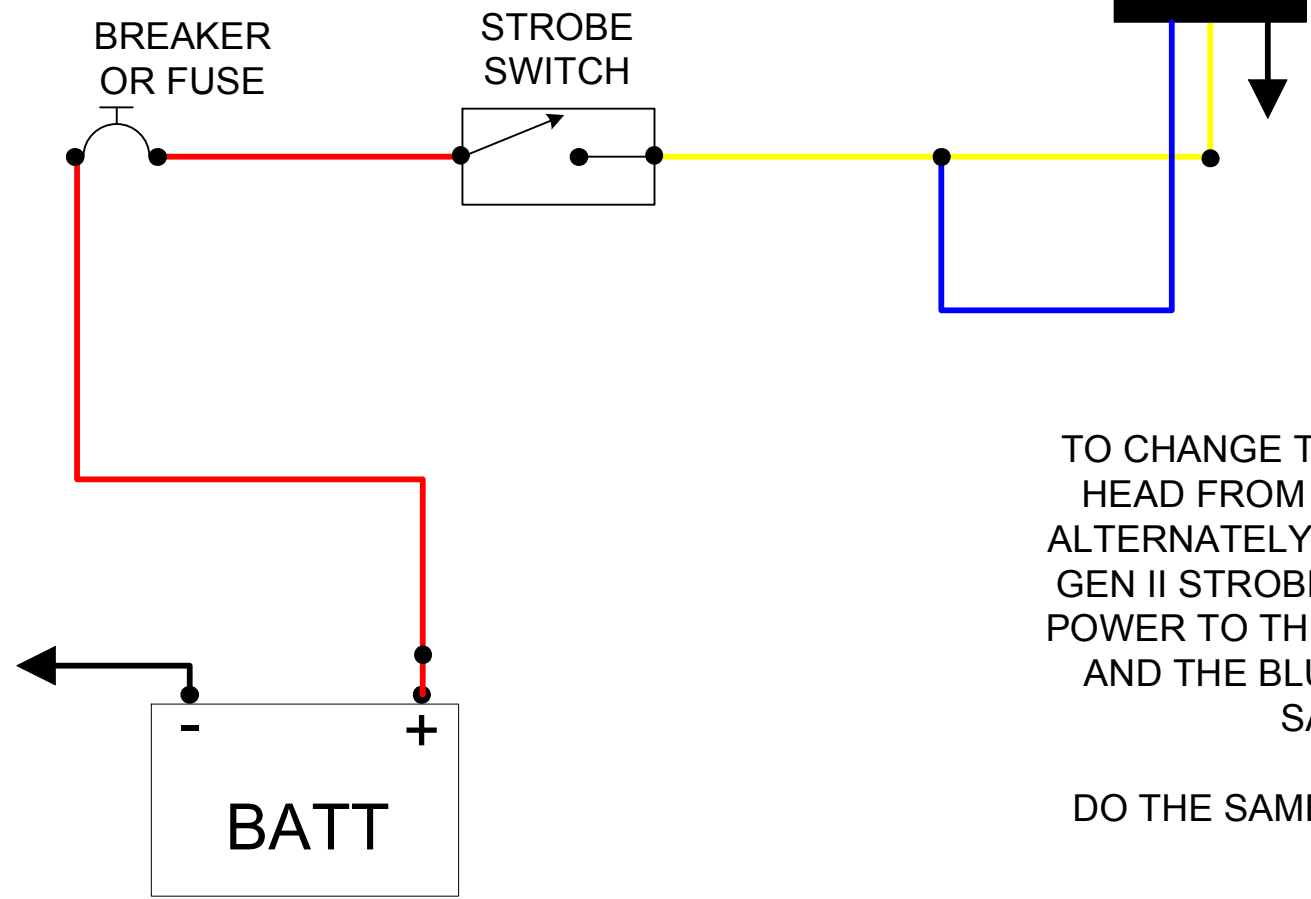


SAMPLE WIRING DIAGRAM FOR
GEN II STROBE SYSTEM

TAIL STROBE - YELLOW = POWER
STROBES - BLUE = STROBE SYNC
ALL - BLACK = GROUND



TO CHANGE THE GEN II TAIL STROBE
HEAD FROM SIMULTANEOUSLY OR
ALTERNATELY FLASHING WITH OTHER
GEN II STROBE HEADS SIMPLY APPLY
POWER TO THE YELLOW POWER WIRE
AND THE BLUE SYNC WIRE AT THE
SAME TIME...

DO THE SAME AGAIN TO CHANGE IT
BACK...